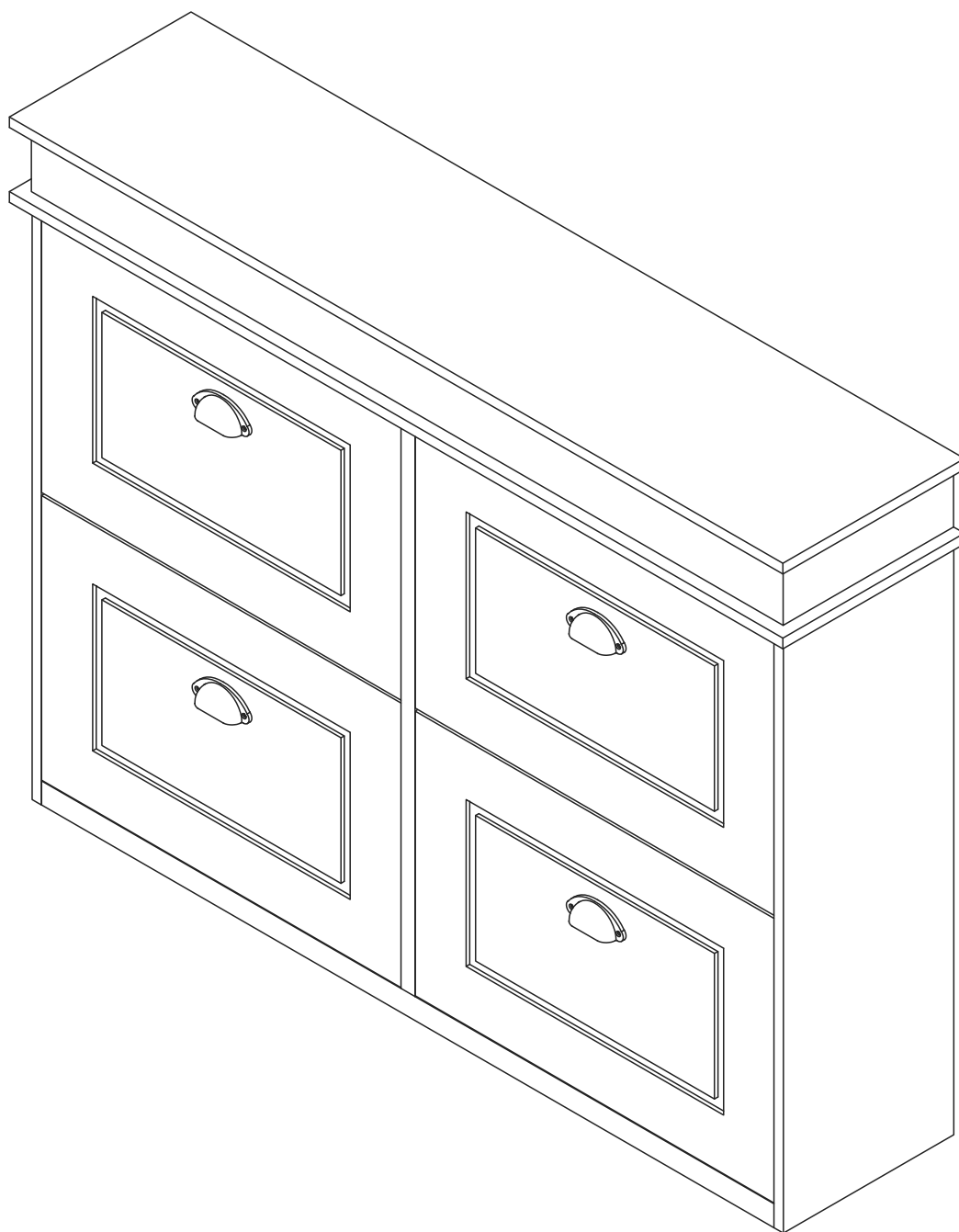
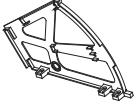
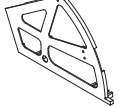
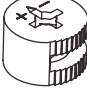

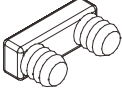
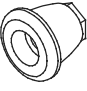


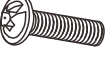






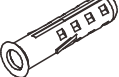
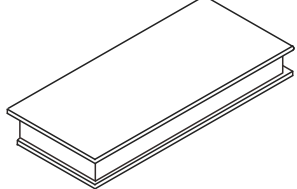



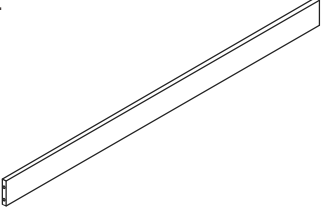
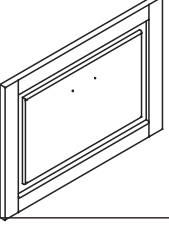
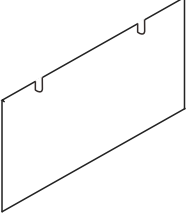
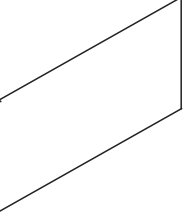
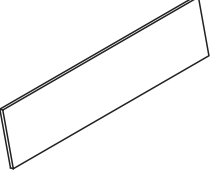
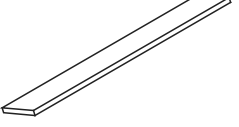


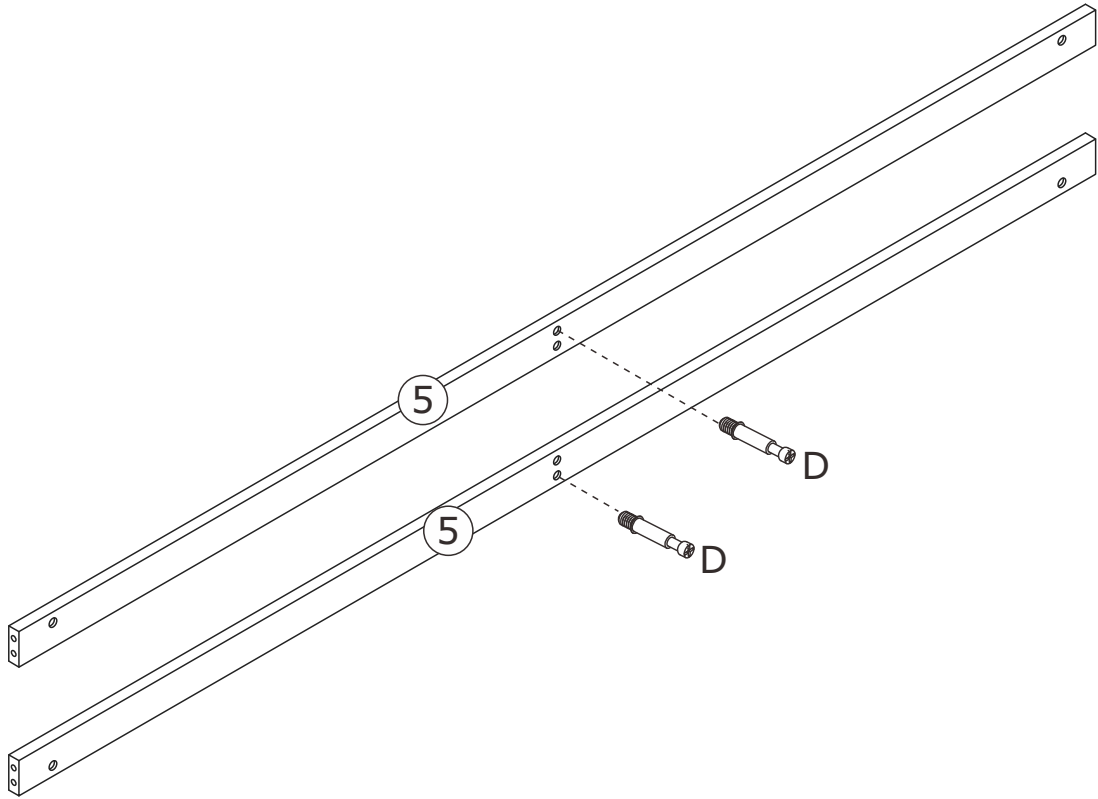
SEBER TYP 5



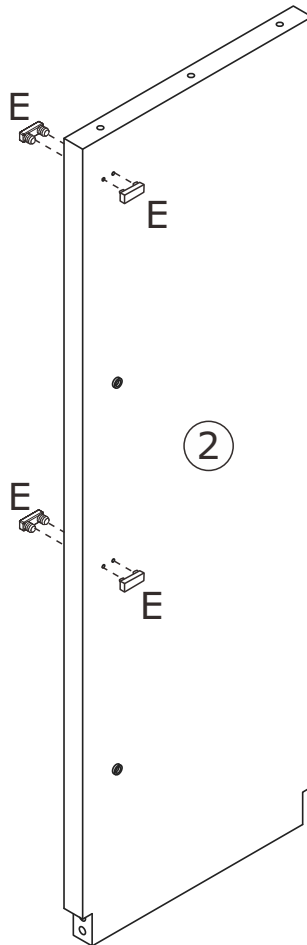
Ax4 	Bx4 	Cx12 	Dx8 
Ex8 	Fx8 	Gx7 	Hx4 
Ix8  4x12mm	Jx8  4x12mm	Kx48  3x16mm	Lx2 
Mx28  2.5x10mm	Nx2  4x12mm	Ox2  4x40mm	Px2 

1x1 	2x1 	3x1 
4x1 	5x2 	6x4 
7x1 	8x1 	9x4 
10x4 		

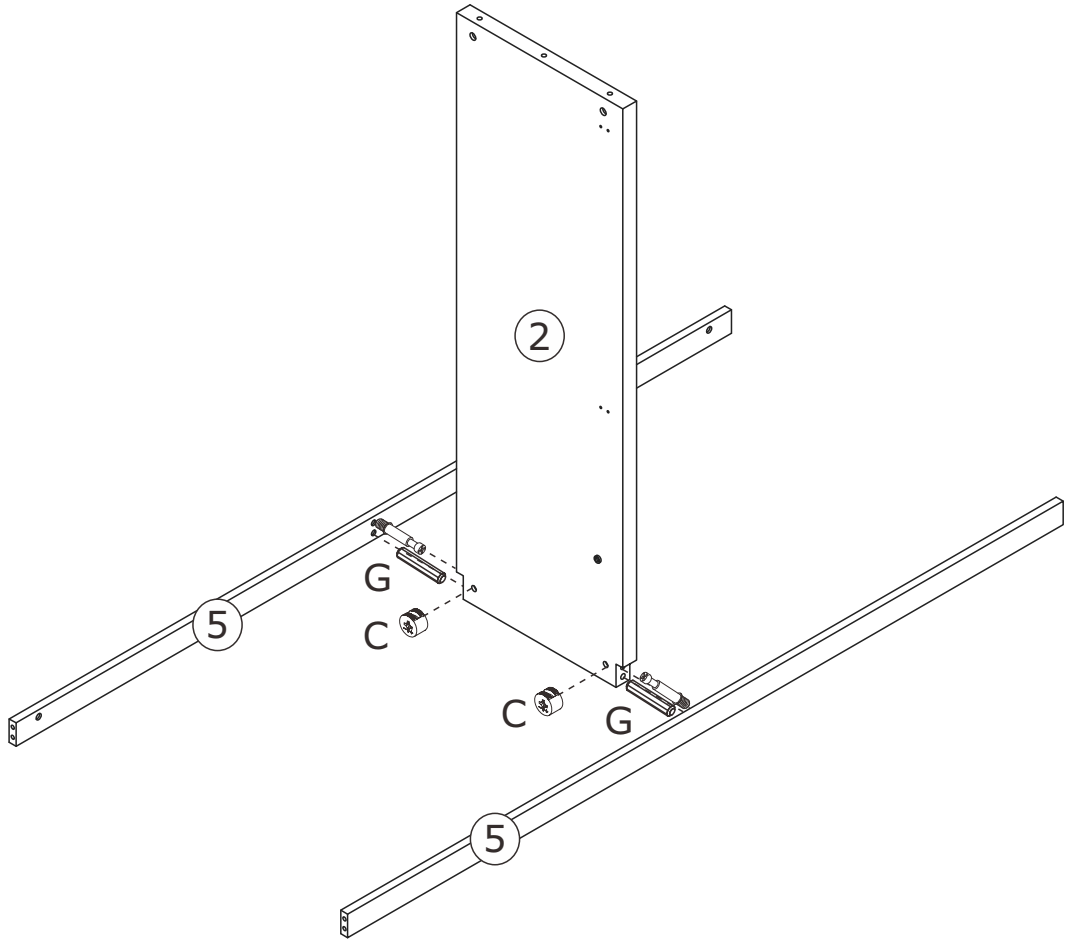
1



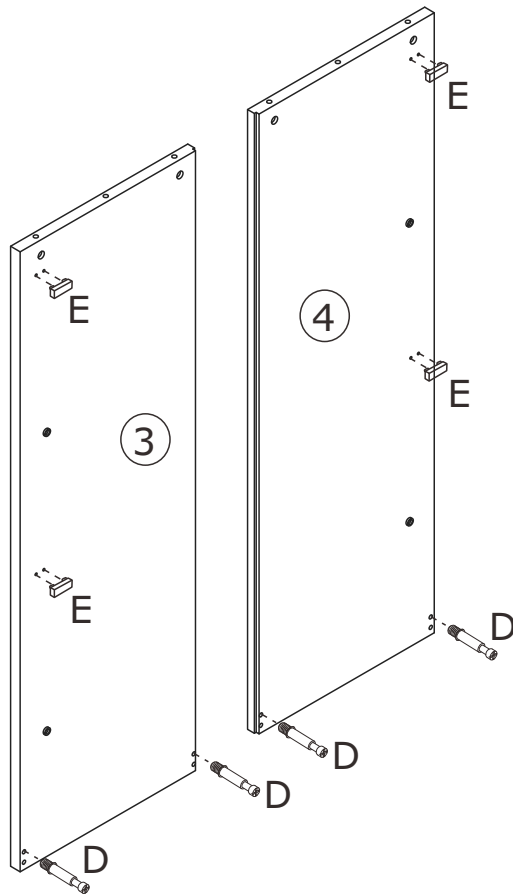
2



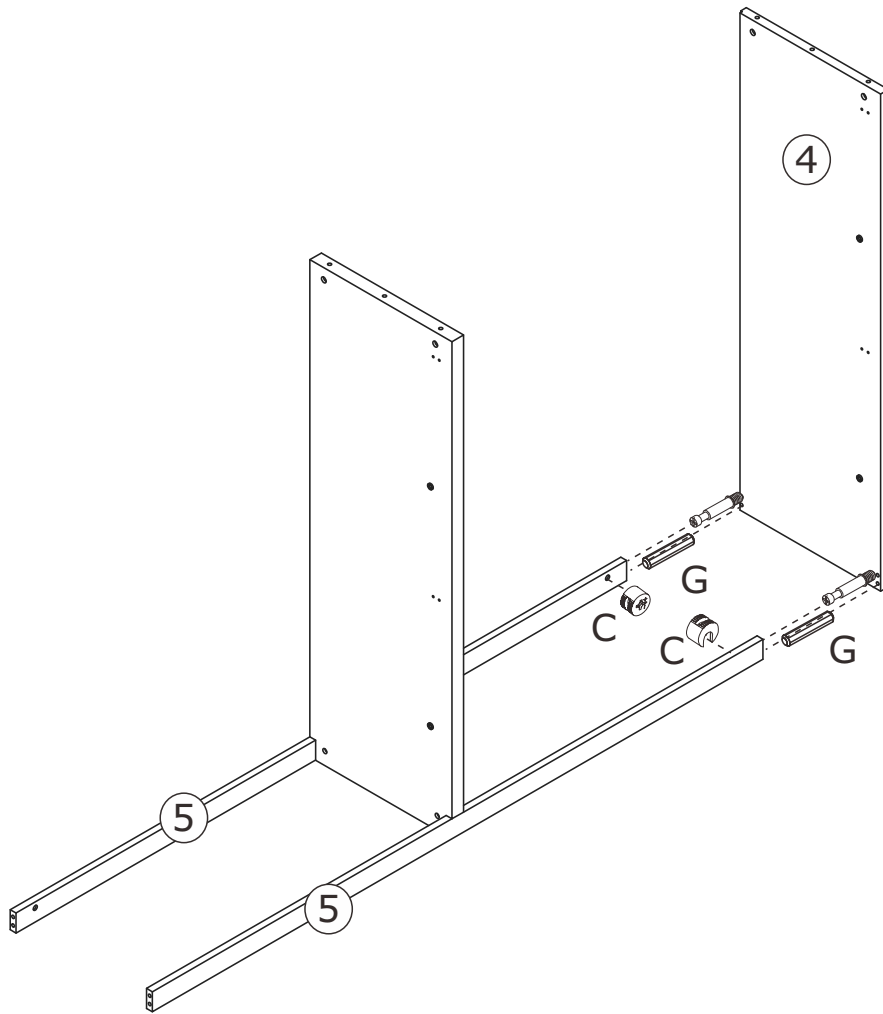
3



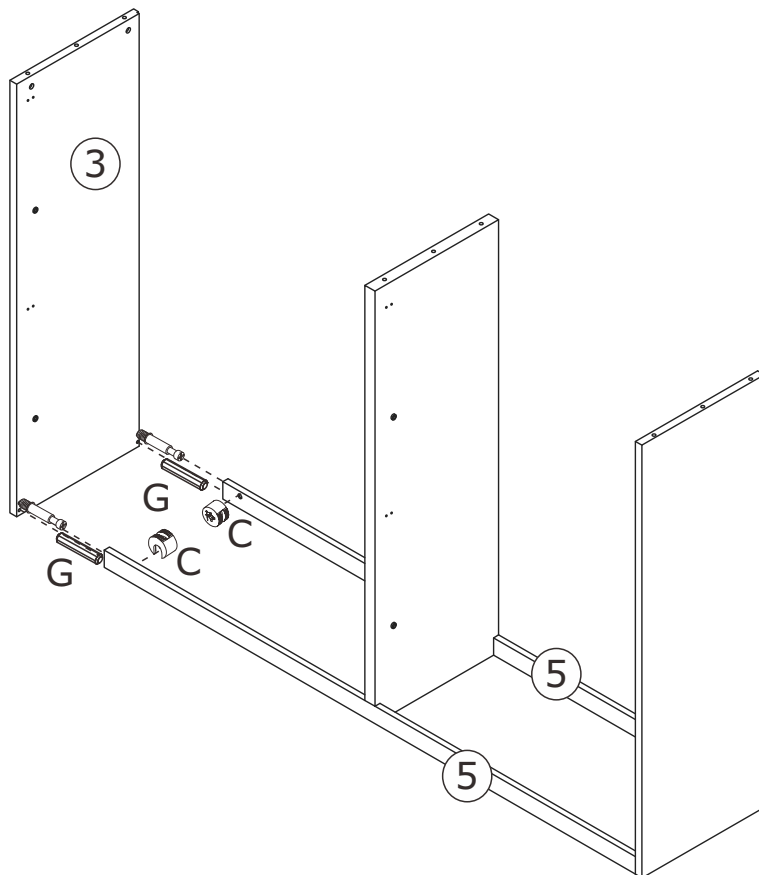
4



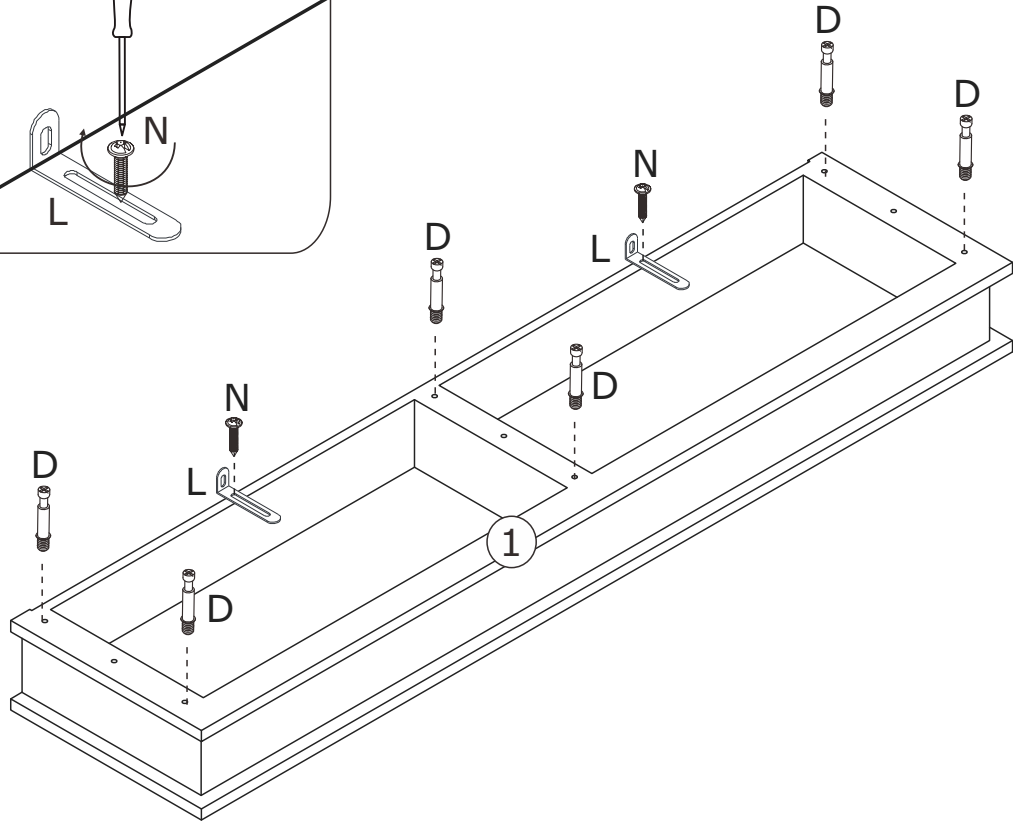
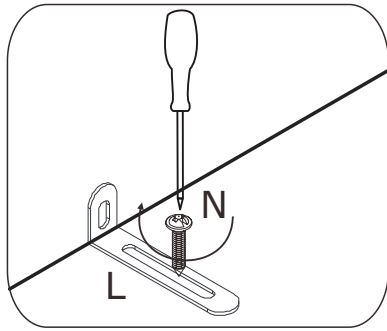
5



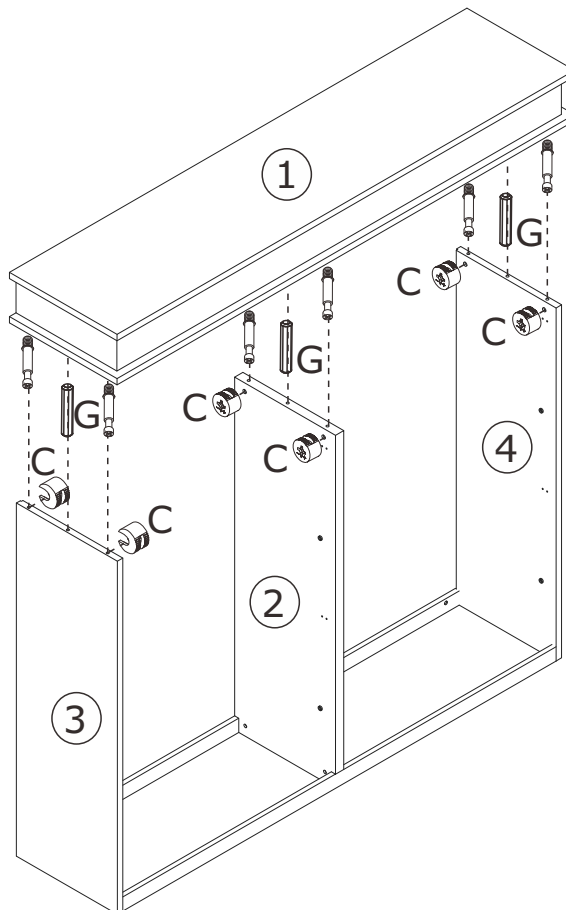
6



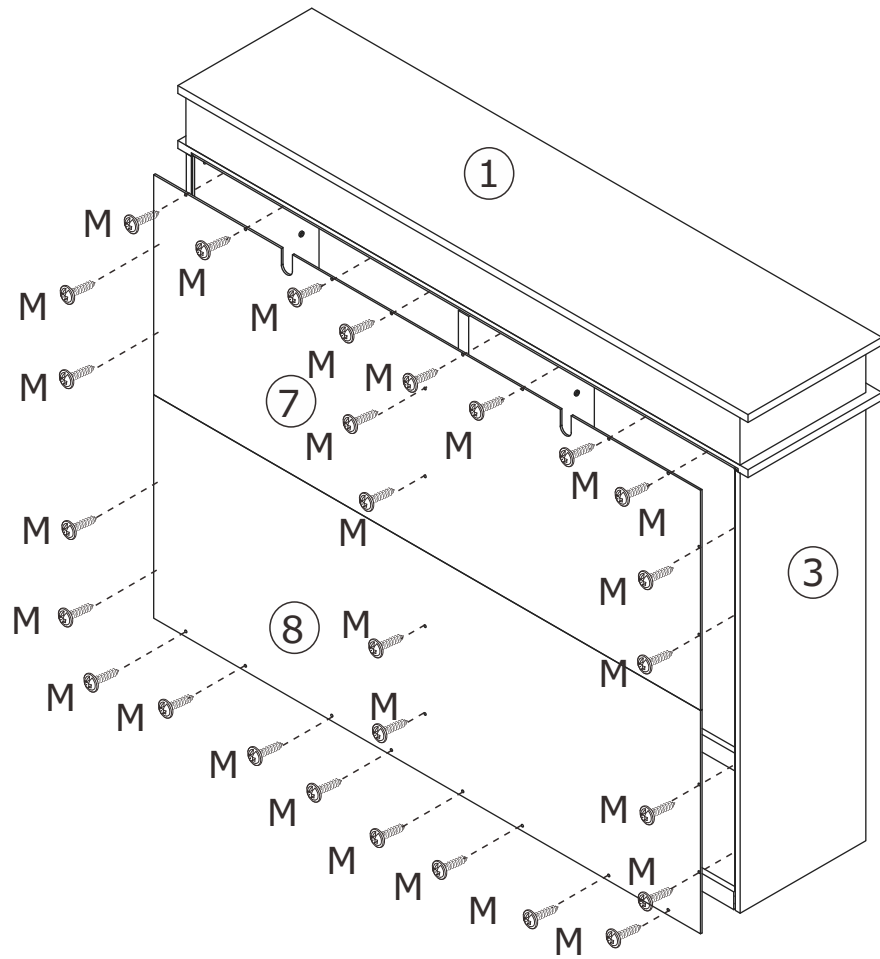
7



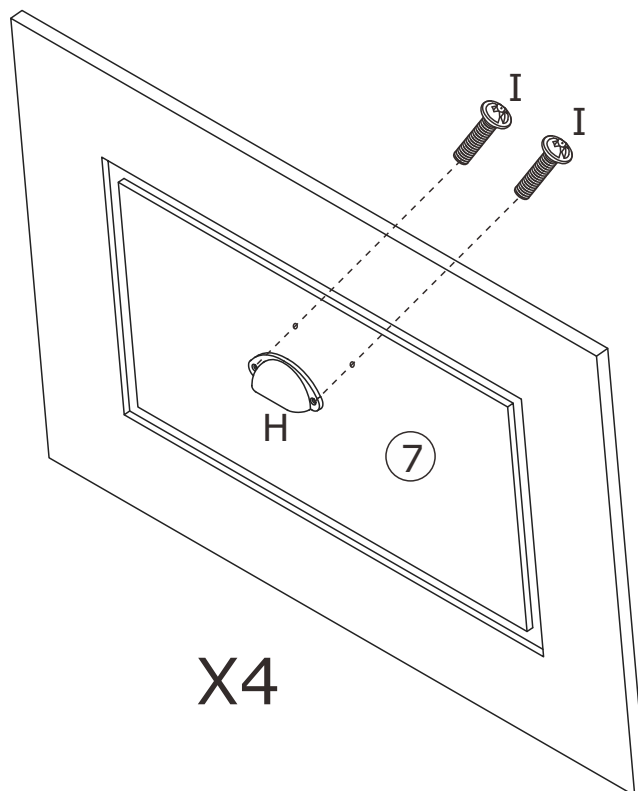
8



9

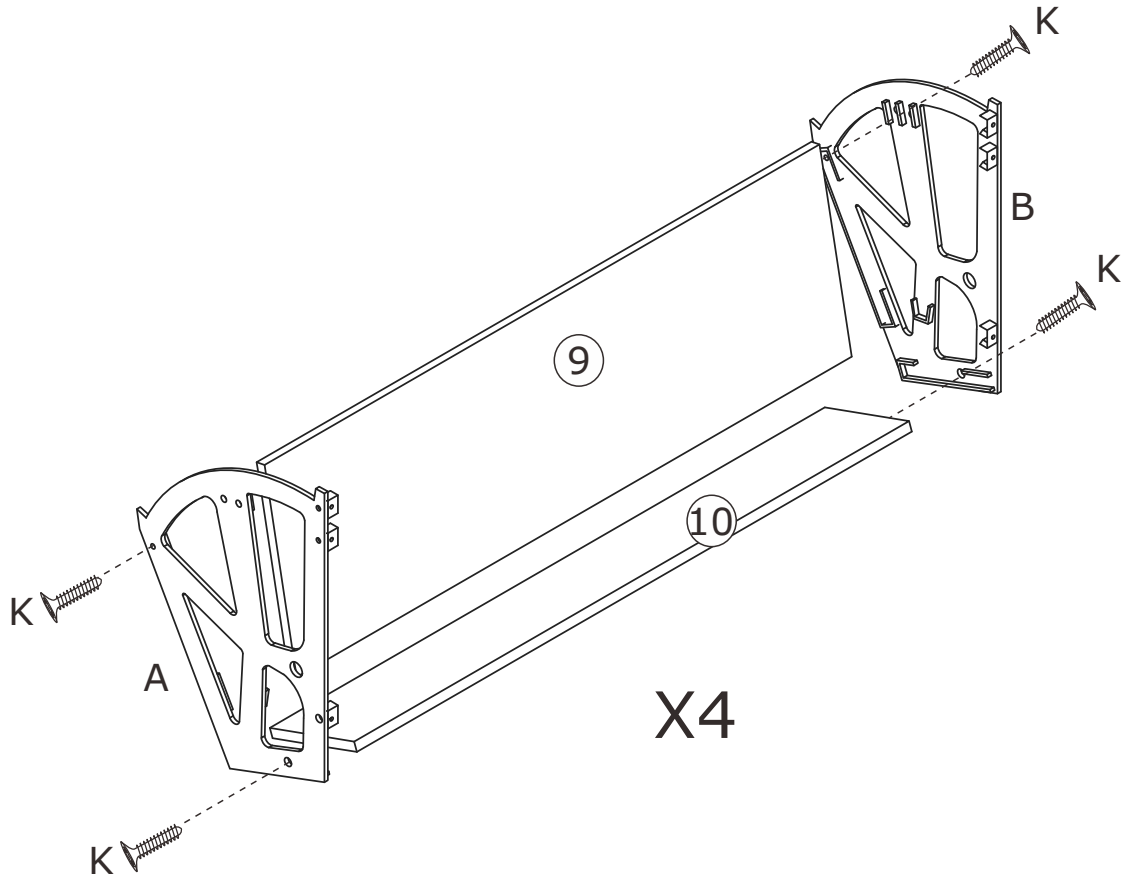


10

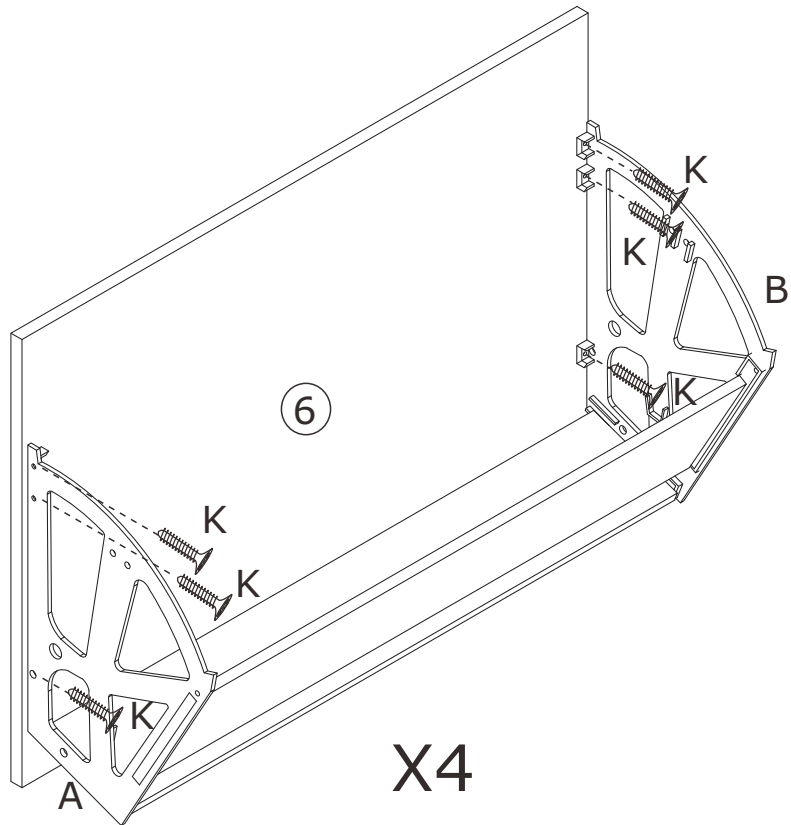


X4

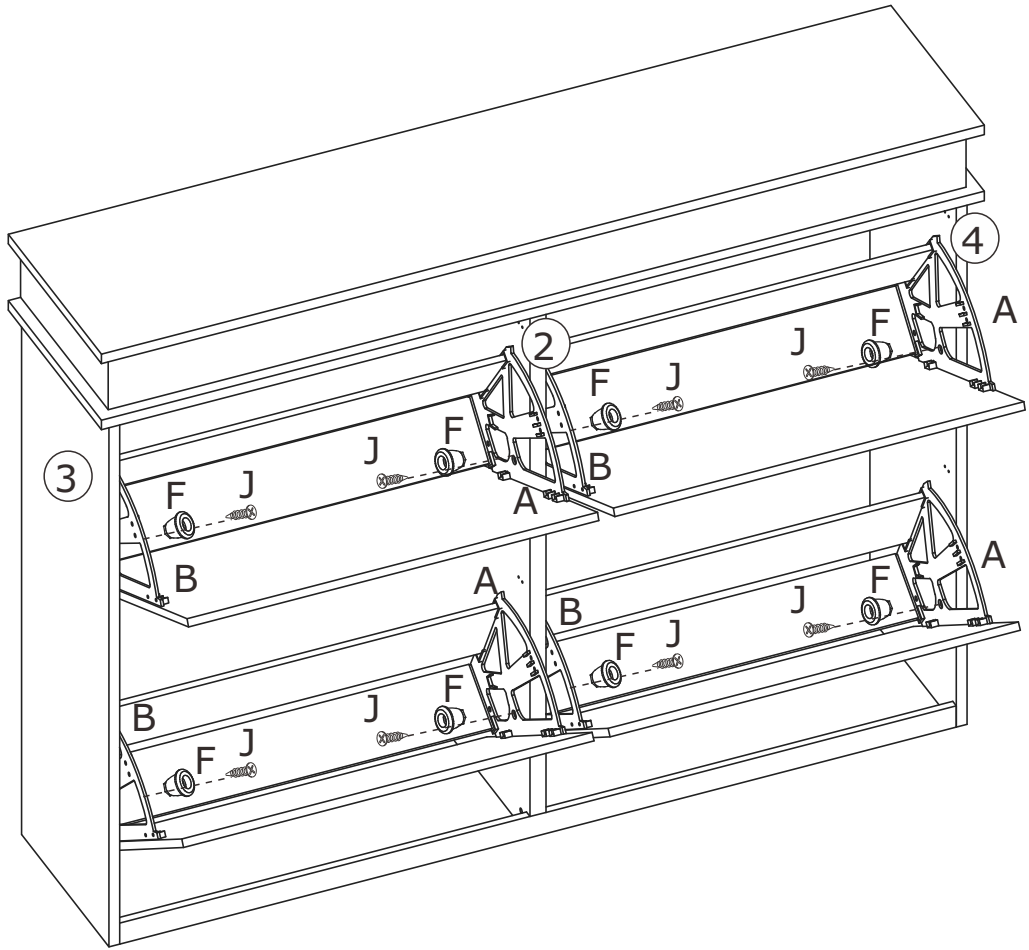
11



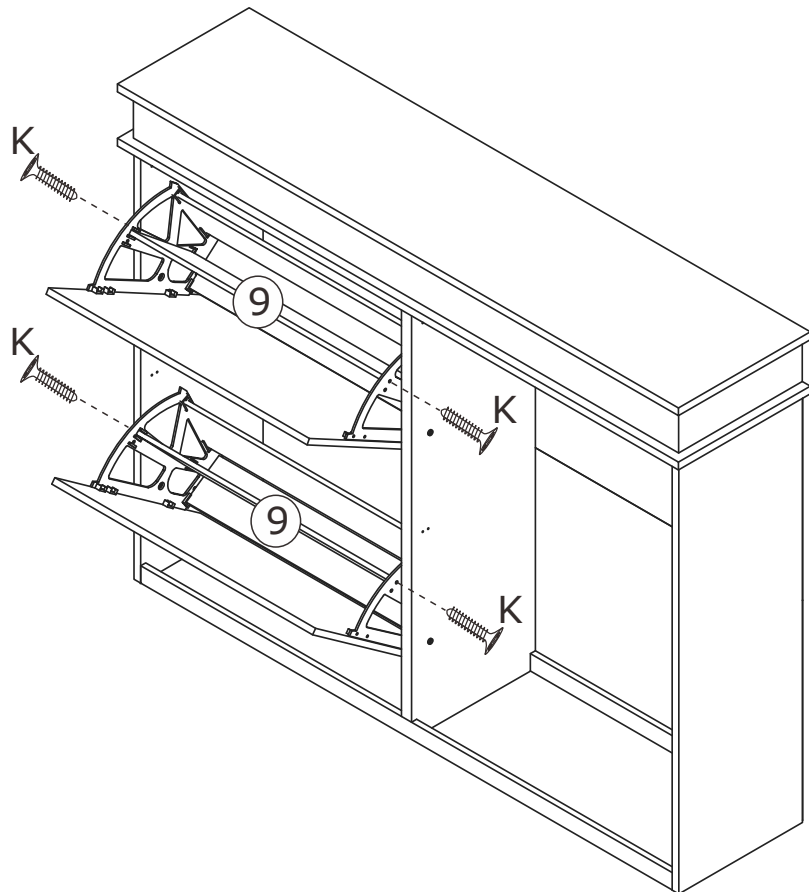
12



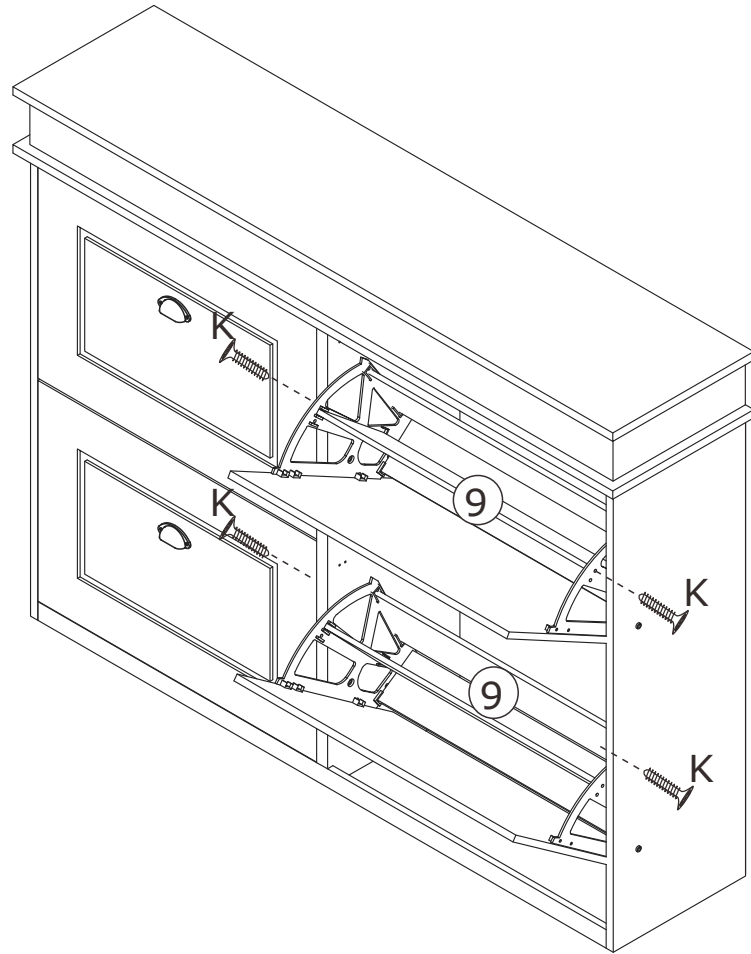
13



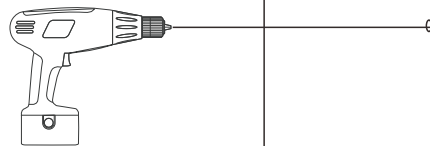
14



15



16



O

17

